



**Technical and Test Institute  
for Construction Prague**

Prosecká 811/76a  
190 00 Prague  
Czech Republic  
eota@tzus.cz



Member of



www.eota.eu

## European Technical Assessment

**ETA 20/0922  
of 25/11/2020**

**Technical Assessment Body issuing the ETA:** Technical and Test Institute  
for Construction Prague

**Trade name of the construction product**

MKE for rebar connection

**Product family to which the construction  
product belongs**

Product area code: 33  
Post installed rebar connections  
with MKE injection mortar

**Manufacturer**

Marcopol Sp. z o.o. Producent Śrub  
ul. Oliwska 100, 80-209 Chwaszczyno,  
Poland

**Manufacturing plant**

Plant 1

**This European Technical Assessment  
contains**

17 pages including 13 Annexes which form  
an integral part of this assessment.

**This European Technical Assessment is  
issued in accordance with regulation  
(EU) No 305/2011, on the basis of**

EAD 330087-00-0601 Systems for post-  
installed rebar connections with mortar

Translations of this European Technical Assessment in other languages shall fully correspond to the original issued document and should be identified as such.

Communication of this European Technical Assessment, including transmission by electronic means, shall be in full (excepted the confidential Annex(es) referred to above). However, partial reproduction may be made, with the written consent of the issuing Technical Assessment Body - Technical and Test Institute for Construction Prague. Any partial reproduction has to be identified as such.

## 1. Technical description of the product

The MKE injection system is used for the connection, by anchoring or overlap joint, of reinforcing bars (rebars) in existing structures made of normal weight concrete. The design of the post-installed rebar connections is done in accordance with the regulations for reinforced concrete constructions.

Reinforcing bars made of steel with a diameter  $d$  from 8 to 32 mm and MKE chemical mortar are used for rebar connections. The steel element is placed into a drilled hole filled with injection mortar and is anchored via the bond between embedded element, injection mortar and concrete.

The illustration and the description of the product are given in Annex A.

## 2. Specification of the intended use in accordance with the applicable EAD

The performances given in Section 3 are only valid if the anchor is used in compliance with the specifications and conditions given in Annex B.

The provisions made in this European Technical Assessment are based on an assumed working life of the anchor of 50 years. The indications given on the working life cannot be interpreted as a guarantee given by the producer, but are to be regarded only as a means for choosing the products in relation to the expected economically reasonable working life of the works.

## 3. Performance of the product and references to the methods used for its assessment

### 3.1 Mechanical resistance and stability (BWR 1)

Essential characteristic	Performance
Bond strength of post-installed rebar	See Annex C 1, C 2
Reduction factor	See Annex C 1, C 2
Amplification factor for minimum anchorage length	See Annex C 1, C 2

### 3.2 Safety in case of fire (BWR 2)

Essential characteristic	Performance
Reaction to fire	Class (A1) according to EN 13501-1
Resistance to fire	No performance assessed

### 3.3 General aspects relating to fitness for use

Durability and serviceability are only ensured if the specifications of intended use according to Annex B 1 are kept.

## 4. Assessment and verification of constancy of performance (AVCP) system applied with reference to its legal base

According to the Decision 96/582/EC of the European Commission<sup>1</sup> the system of assessment verification of constancy of performance (see Annex V to Regulation (EU) No 305/2011) given in the following table apply.

Product	Intended use	Level or class	System
Metal anchors for use in concrete	For fixing and/or supporting concrete structural elements or heavy units such as cladding and suspended ceilings	-	1

<sup>1</sup> Official Journal of the European Communities L 254 of 08.10.1996

**5. Technical details necessary for the implementation of the AVCP system, as provided in the applicable EAD**

**5.1 Tasks of the manufacturer**

The manufacturer may only use raw materials stated in the technical documentation of this European Technical Assessment.

The factory production control shall be in accordance with the control plan which is a part of the technical documentation of this European Technical Assessment. The control plan is laid down in the context of the factory production control system operated by the manufacturer and deposited at Technical and Test Institute for Construction Prague.<sup>2</sup> The results of factory production control shall be recorded and evaluated in accordance with the provisions of the control plan.

**5.2 Tasks of the notified bodies**

The notified body shall retain the essential points of its actions referred to above and state the results obtained and conclusions drawn in a written report.

The notified certification body involved by the manufacturer shall issue a certificate of constancy of performance of the product stating the conformity with the provisions of this European Technical Assessment.

In cases where the provisions of the European Technical Assessment and its control plan are no longer fulfilled the notified body shall withdraw the certificate of constancy of performance and inform Technical and Test Institute for Construction Prague without delay.

Issued in Prague on 25.11.2020

By

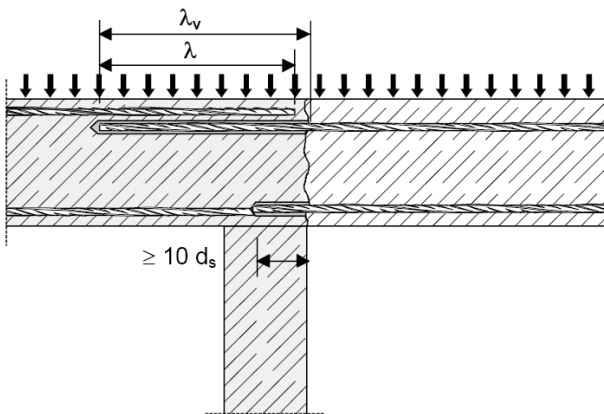
**Ing. Mária Schaan**

Head of the Technical Assessment Body

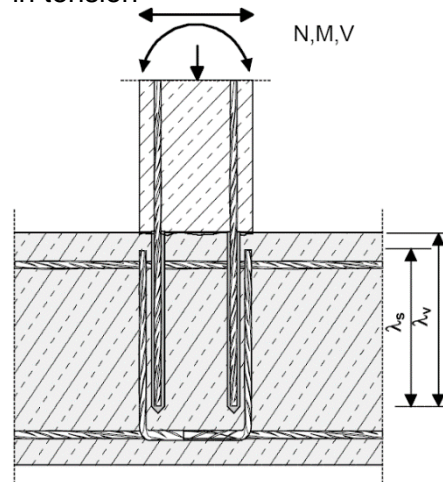
---

<sup>2</sup> The control plan is a confidential part of the documentation of the European Technical Assessment, but not published together with the ETA and only handed over to the approved body involved in the procedure of AVCP.

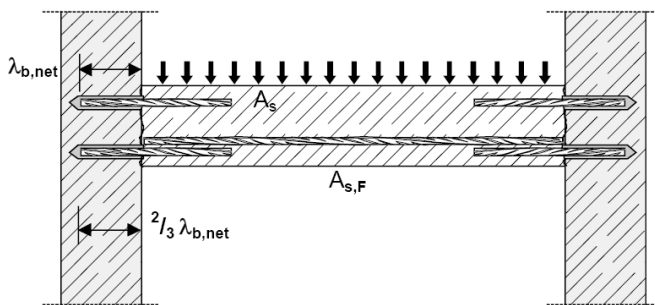
**Figure A1:** Overlap joint for rebar connections of slabs and beams



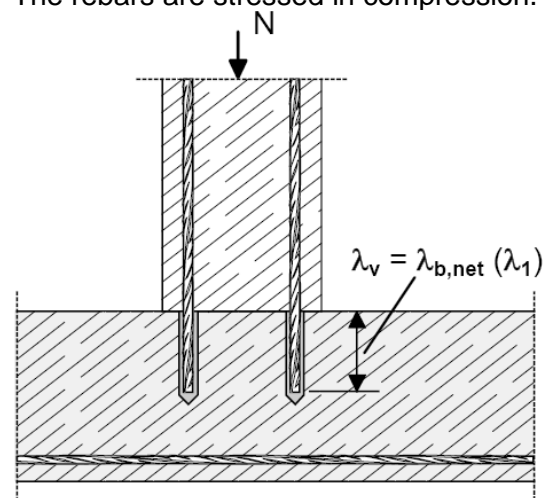
**Figure A2:** Overlap joint at a foundation of a column or wall where the rebar is stressed in tension



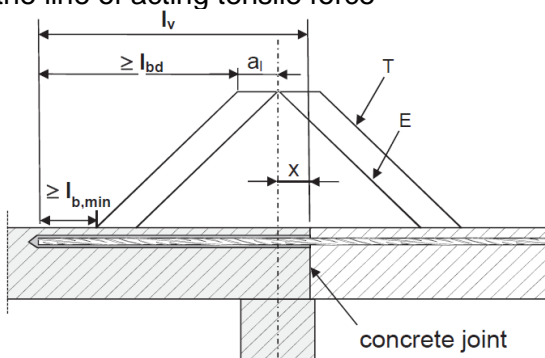
**Figure A3:** End anchoring of slabs or beams, designed as simply supported



**Figure A4:** Rebar connection for components stressed primarily in compression. The rebar is stressed in compression.



**Figure A5:** Anchoring of reinforcement to cover the line of acting tensile force



(only post-installed rebar is plotted)

**Key to Figure A5**

- T acting tensile force
- E envelope of  $M_{ed}/z + N_{ed}$  (see EN 1992-1-1, Figure 9.2)
- x distance between the theoretical point of support and concrete joint

**Note to Figure A1 to A5:**

In the Figures no transverse reinforcement is plotted, the transverse reinforcement as required by EN 1992-1-1 shall be present.

The shear transfer between old and new concrete shall be designed according to EN 1992-1-1.

**MKE for rebar connection**

**Product description**

Installed condition and examples of use for rebars

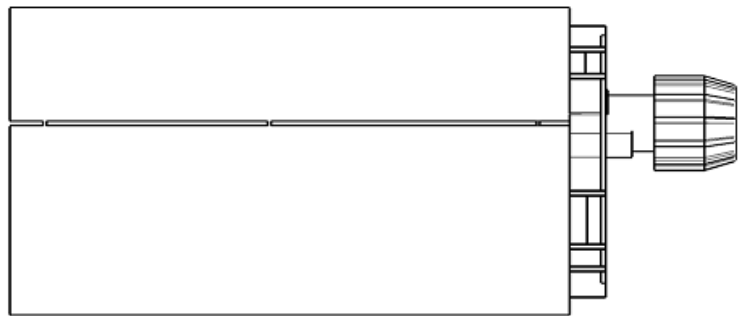
**Annex A 1**

**Mortar cartridges**

**Side by side cartridge**

MKE

385 ml  
585 ml

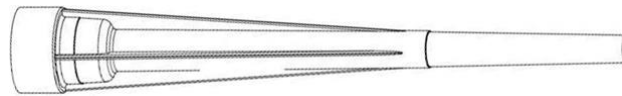


**Marking of the mortar cartridges**

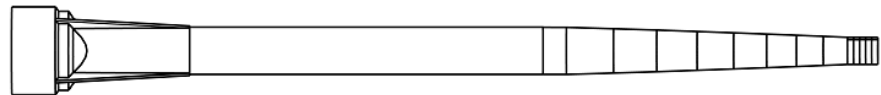
Identifying mark of the producer, Trade name, Charge code number, Storage life, Curing and processing time

**Mixing nozzle**

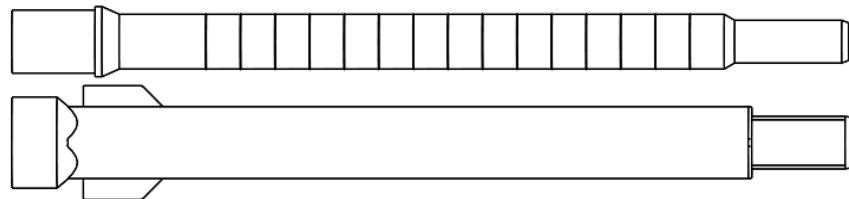
EZ-Flow mixing nozzle



Q mixing nozzle



QH mixing nozzle



**MKE for rebar connection**

**Product description**  
Injection system

**Annex A 2**

**Rebar Ø8, Ø10, Ø12, Ø14, Ø16, Ø20, Ø25, Ø28, Ø32**

**Figure A6:** Reinforcing bar



Minimum value of related rib area  $f_{R,min}$  according to EN 1992-1-1:2004.

- The maximum outer rebar diameter over the ribs shall be:  
Nominal diameter of the rib  $d + 2 \cdot h$  ( $h \leq 0,07 \cdot d$ )  
(d: nominal diameter of the bar; h: rib height of the bar)

**Table A1:** Materials

Product form		Bars and de-coiled rods	
Class		B	C
Characteristic yield strength $f_{yk}$ or $f_{0,2k}$ (MPa)		400 to 600	
Minimum value of $k = (f_t / f_y)_k$		$\geq 1,08$	$\geq 1,15$ < 1,35
Characteristic strain at maximum force $\epsilon_{uk}$ (%)		$\geq 5,0$	$\geq 7,5$
Bendability		Bend / Rebind test	
Maximum deviation from nominal mass (individual bar) (%)	Nominal bar size (mm)	$\pm 6,0$ $\pm 4,5$	
	$\leq 8$		
Bond: Minimum relative rib area, $f_{R,min}$	Nominal bar size (mm)	0,040 0,056	
	8 to 12 > 12		

**MKE for rebar connection**

**Product description**  
Rebar and materials

**Annex A 3**

## Specifications of intended use

### Anchorage subject to:

- Static and quasi-static load.

### Base materials

- Reinforced or unreinforced normal weight concrete according to EN 206:2013
- Strength classes C12/15 to C50/60 according to EN 206:2013.
- Maximum chloride concrete of 0,40% (CL 0.40) related to the cement content according to EN 206:2013.
- Non-carbonated concrete.

Note: In case of a carbonated surface of the existing concrete structure the carbonated layer shall be removed in the area of the post installed rebar connection (with a diameter  $d_s + 60$  mm) prior to the installation of the new rebar. The depth of concrete to be removed shall correspond to at least minimum concrete cover in accordance with EN 1992-1-1:2004.

The foregoing may be neglected if building components are new and not carbonated.

### Temperature range:

- $-40^{\circ}\text{C}$  to  $+80^{\circ}\text{C}$  (max. short. term temperature  $+80^{\circ}\text{C}$  and max. long term temperature  $+40^{\circ}\text{C}$ )

### Use conditions (Environmental conditions)

- The rebars may be used in dry or wet concrete.

### Design:

- The anchorages are designed under the responsibility of an engineer experienced in anchorages and concrete work.
- Verifiable calculation notes and drawings are prepared taking account of the forces to be transmitted.
- Design according to EN 1992-1-1 and EN 1992-1-2.
- The position of the reinforcement in the existing structure shall be determined on the basis of the construction documentation and taken into account when designing.

### Installation:

- Dry or wet concrete.
- It must not be installed in flooded holes.
- Hole drilling by hammer drill, compressed air drill mode or diamond core drilling.
- The installation of post-installed rebars shall be done only by suitable trained installer and under supervision on site. The conditions under which an installer may be considered as suitable trained and the conditions for supervision on site are up to the Member States in which the installation is done.
- Check the position of the existing rebars (if the position is not known, it shall be determined using a rebar detector suitable for this purpose).

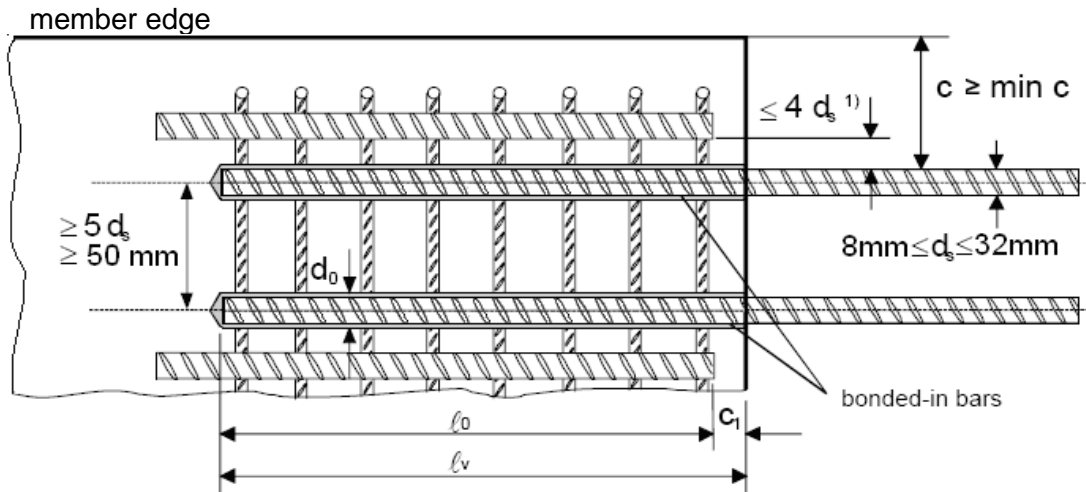
**MKE for rebar connection**

**Intended use**  
Specifications

**Annex B 1**

**Figure B1:** General design rules of construction for bonded-in rebars

- Only tension forces in the axis of the rebar may be transmitted
- The transfer of shear forces between new concrete and existing structure shall be designed additionally according to EN 1992-1-1.
- The joints for concreting must be roughened to at least such an extent that aggregate protrude.



1) If the clear distance between lapped bars exceeds  $4d_s$  then the lap length shall be increased by the difference between the clear bar distance and  $4d_s$

- c concrete cover of bonded-in bar
- $c_1$  concrete cover at end-face of bonded-in bar
- min c minimum concrete cover acc. Table B1 of this assessment
- $d_s$  diameter of bonded-in bar
- $l_0$  lap length acc. to EN 1992-1-1:2004
- $l_v$  effective embedment depth  $\geq l_0 + c_1$
- $d_0$  nominal drill bit diameter, see Table B2

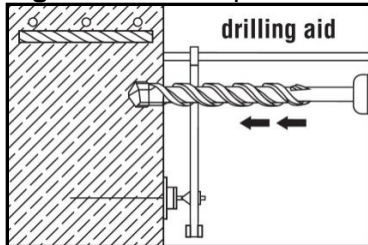
<b>MKE for rebar connection</b>	<b>Annex B 2</b>
<b>Intended use</b> General design rules of construction	



**Table B1:** Minimum concrete cover  $c_{min}$  depending on drilling method

Drilling method	Bar diameter $\phi$	Without drilling aid	With drilling aid
		$c_{min}$	$c_{min}$
Hammer drilling or diamond drilling	< 25 mm	30 mm + 0,06 $l_v \geq 2 \phi$	30 mm + 0,02 $l_v \geq 2 \phi$
	$\geq 25$ mm	40 mm + 0,06 $l_v \geq 2 \phi$	40 mm + 0,02 $l_v \geq 2 \phi$
Compressed air drilling	< 25 mm	50 mm + 0,08 $l_v$	50 mm + 0,02 $l_v$
	$\geq 25$ mm	60 mm + 0,08 $l_v \geq 2 \phi$	60 mm + 0,02 $l_v \geq 2 \phi$

**Figure B2:** Example of drilling aid



**Minimum anchorage length  $l_{bd,PIR}$  and minimum anchorage lap length  $l_{0,PIR}$**

**Minimum anchorage length**

$$l_{bd,PIR} = \alpha_{lb} \cdot l_{b,min}$$

$\alpha_{lb}$  = amplification factor for minimum anchorage length  
(see Annex C 1, Table C2 for hammer drilling method)  
(see Annex C 2, Table C4 for diamond core drilling method)

$l_{b,min}$  = minimum anchorage length of cast-in rebar according to EN 1992-1-1, eq. 8.6

**Minimum lap length**

$$l_{0,PIR} = \alpha_{lb} \cdot l_{0,min}$$

$\alpha_{lb}$  = amplification factor for minimum anchorage length  
(see Annex C 1, Table C2 for hammer drilling method)  
(see Annex C 2, Table C4 for diamond core drilling method)

$l_{0,min}$  = minimum lap length of cast-in rebar according to EN 1992-1-1, eq. 8.11

**Table B2:** Drilling diameter and maximum anchorage depth

Rebar diameter $d_{nom}^1)$ [mm]	Nominal drilling diameter $d_{cut}$ [mm]	Max permissible embedment depth $l_v$ [mm]
8	12	400
10	14	500
12	16	600
14	18	700
16	20	800
20	25	1000
25	32	1000
28	35	1000
32	40	1000

<sup>1)</sup> The maximum outer rebar diameter over the ribs shall be: nominal diameter of the bar  $d_{nom} + 0,20 d_{nom}$

**MKE for rebar connection**

**Intended use**

Minimum concrete cover  
Minimum anchorage length  
Maximum embedment length

**Annex B 3**

**Table B3: Processing and Cure time**

Base Material Temperature °C	Cartridge Temperature °C	T Gel (mins)	T load (hrs)
+5°C	Minimum +10°C	300	24
+5°C to +10°C		150	
+10°C to +15°C	+10°C to +15°C	40	18
+15°C to +20°C	+15°C to +20°C	25	12
+20°C to +25°C	+20°C to +25°C	18	8
+25°C to +30°C	+25°C to +30°C	12	6
+30°C to +35°C	+30°C to +35°C	8	4
+35°C to +40°C	+35°C to +40°C	6	2
<b>Ensure cartridge is &gt; 10°C</b>			

**MKE for rebar connection****Intended use**  
Processing and Load time**Annex B 4**

**Table B4:** Applicator gun

**Applicator gun**

**Cartridge**



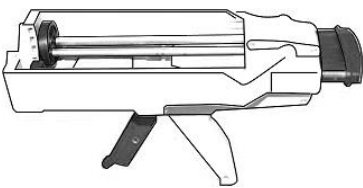
Side by side 385 ml



Side by side 385 ml



Side by side 385 ml



Side by side 585 ml

**MKE for rebar connection**

**Intended use**  
Applicator gun

**Annex B 5**

**Table B5: Brush**

Sizes		Ø8	Ø10	Ø12	Ø14	Ø16	Ø20	Ø25	Ø28	Ø32
Drill hole diameter d <sub>0</sub>	[mm]	12	14	16	18	20	25	32	35	40
Steel brush diameter	[mm]	S12HF S13HF	S14HF S15HF	S18HF	S22HF		S27HF	S35HF	S38HF	S43HF
Brushes head length	[mm]	75								

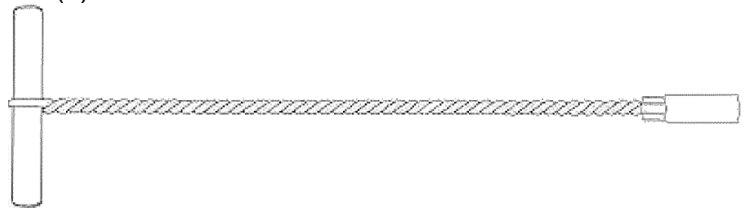
If required use additional accessories and extension for air nozzle and brush to reach back of hole.

Max. hole depth	Brush / extension configuration	Part
420 mm	Brush head unit + handle unit	(a)+(b)
720 mm	Brush head unit + extension piece + handle unit	(a)+(c)+(b)
1020 mm	Brush head unit + 2x extension piece + handle unit	(a)+(c)+(c)+(b)

Part (a)



Part (b)



Part (c)

**Table B6: Extension hose for deep holes**

Sizes		Ø8	Ø10	Ø12	Ø14	Ø16	Ø20	Ø25	Ø28	Ø32
Hole diameter	[mm]	12	14	16	18	20	25	32	35	40
Extension hose	[mm]	6			9					
Resin stopper	[mm]	-	-	-	-	18	22	30		36

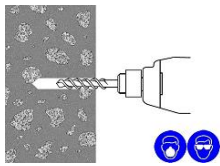
**MKE for rebar connection****Intended use**

Brush

Extension hose for deep holes

**Annex B 6**

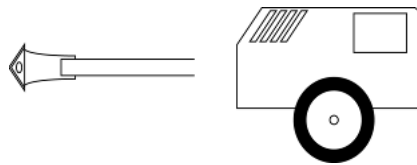
## Drilling the hole



Drill hole to the required embedment depth using a hammer-drill with carbide drill bit set in rotation hammer mode, or a compressed air drill or diamond core drill.



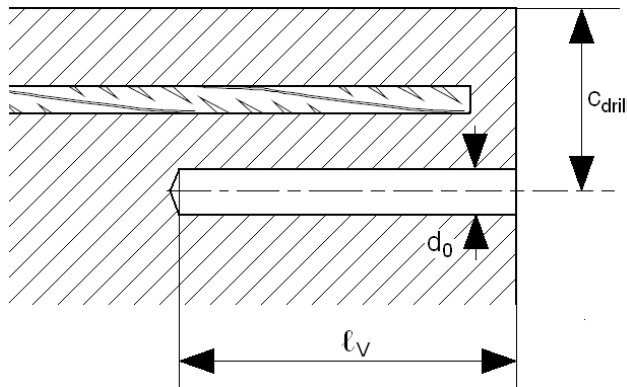
Rotary hammer drilling



Compressed air drill

Before drilling remove carbonized concrete.

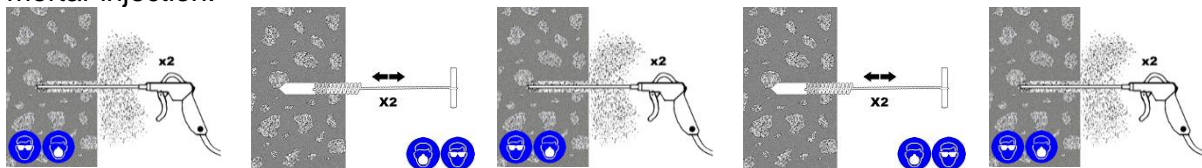
In case of aborted drill hole the drill hole shall be filled with mortar.



- Observe concrete coverage  $c$ , as per setting plan and Table B1
- Drill parallel to the edge and to existing rebar

## Cleaning the hole

The borehole must be free of dust, debris, water, ice, oil, grease and other contaminants prior to mortar injection.



- Blowing 2 time from the back of the hole with oil-free compressed air (min. 6 bar) until return air stream is free of noticed dust.
- Brushing 2 time with the special brush size (brush  $\varnothing \geq$  borehole  $\varnothing$ ) by inserting the brush to the back of the hole in a twisting motion. The brush shall produce natural resistance as it enters the anchor hole. If this is not the case, please use a new brush or a brush with a larger diameter.
- Repeat operation 1 and 2.
- Blowing 1 time again with compressed air until return air stream is free of noticeable dust.

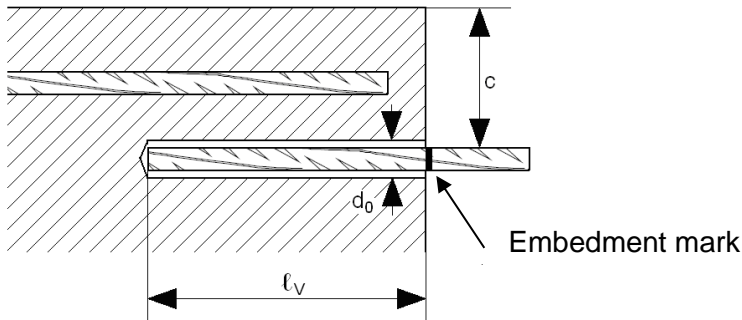
## MKE for rebar connection

Intended use  
Installation instructions I

Annex B 7

## Mortar injection

If the hole collects water after initial cleaning, this water must be removed before injecting the resin.



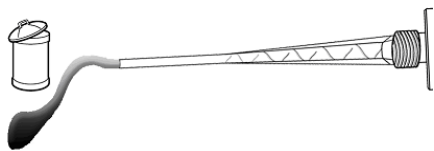
Before use, make sure the rebar is dry and free of oil or other residue.

Mark embedment depth on the rebar (e.g. with tape)  $l_v$

Insert rebar in borehole, to verify hole and setting depth  $l_v$

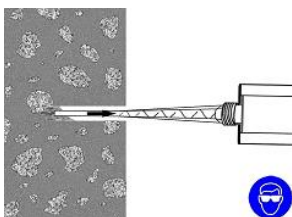
- Check expiration date: See imprint on cartridge. Do not use an expired product
- Cartridge temperature:  
Must be between +10°C and +40°C when in use
- Base material temperature at time of installation:  
Must be between +5°C and +40°C
- Instructions for transport and storage:  
Keep in a cool, dry and dark place at +5°C to +20°C achieve maximum shelf life

Select the appropriate static mixer nozzle for the installation, open the cartridge/foil and screw onto the mouth of the cartridge. Insert the cartridge into the correct applicator gun.



Extrude the first part of the cartridge to waste until an even colour has been achieved without streaking in the resin

If necessary, cut the extension tube to the depth of the hole and push onto the end of the mixer nozzle, and (for rebars 16 mm dia. or more) fit the correct resin stopper to the other end. Attach extension tubing and resin stopper.



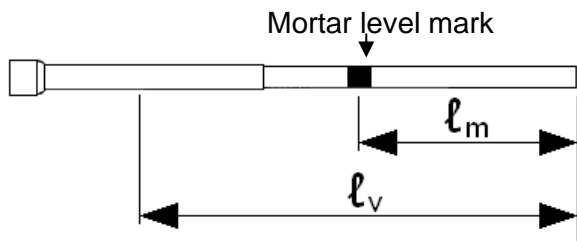
Insert the mixer nozzle (resin stopper / extension tube if applicable) to the bottom of the hole. Begin to extrude the resin and slowly withdraw the mixer nozzle from the hole ensuring that there are no air voids as the mixer nozzle is withdrawn. Fill the hole to approximately  $\frac{1}{2}$  to  $\frac{3}{4}$  full and remove the mixer nozzle completely.

**MKE for rebar connection**

**Intended use**  
Installation instructions II

**Annex B 8**

**Inserting the rebar**



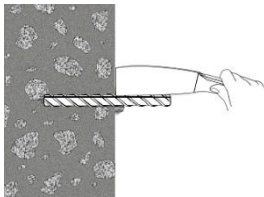
Mark the required mortar level  $l_m$  and embedment depth  $l_v$  with tape or marker on the injection extension.

Quick estimation:  $l_m = 1/2 \cdot l_v$

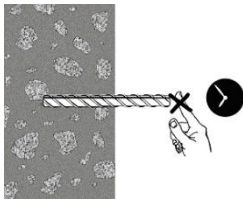
Continue injection until the mortar level mark  $l_m$  becomes visible.



Insert the rebar, free from oil or other release agents, to the bottom of the hole using a back and forth twisting motion ensuring all the threads are thoroughly coated. Adjust to the correct position within the stated working time.



Any excess resin should be expelled from the hole evenly around the steel element showing that the hole is full. This excess resin should be removed from around the mouth of the hole before it sets.



Leave the anchor to cure.

Do not disturb the anchor until the appropriate loading/curing time has elapsed depending on the substrate conditions and ambient temperature.

**MKE for rebar connection**

**Intended use**  
Installation instructions III

**Annex B 9**

### Design bond strength of post-installed rebar $f_{bd,PIR}$

$$f_{bd,PIR} = k_b \cdot f_{bd}$$

$k_b$  = reduction factor

$f_{bd}$  = design bond strength of cast-in rebar according to EN 1992-1-1

**Table C1:** Values of the design bond strength of post installed rebar  $f_{bd,PIR}$  for hammer drilling methods for good bond conditions

Rebar Ø 8 to Ø 28									
Concrete class	C12/15	C16/20	C20/25	C25/30	C30/37	C35/45	C40/50	C45/55	C50/60
$k_b$ [-]	1,0	1,0	1,0	1,0	1,0	1,0	1,0	1,0	1,0
$f_{bd,PIR}$ [N/mm <sup>2</sup> ]	1,6	2,0	2,3	2,7	3,0	3,4	3,7	4,0	4,3
Rebar Ø 32									
Concrete class	C12/15	C16/20	C20/25	C25/30	C30/37	C35/45	C40/50	C45/55	C50/60
$k_b$ [-]	1,0	1,0	1,0	1,0	1,0	1,0	1,0	0,92	0,86
$f_{bd,PIR}$ [N/mm <sup>2</sup> ]	1,6	2,0	2,3	2,7	3,0	3,4	3,7		

Tabulated values are valid for good bond conditions according to EN 1992-1-1.  
For all other bond conditions multiply the values by 0,7.

**Table C2:** Amplification factor for minimum anchorage length for hammer drilling methods

Rebar	Amplification factor	Concrete class								
		C12/15	C16/20	C20/25	C25/30	C30/37	C35/45	C40/50	C45/55	C50/60
Ø 8	$\alpha_{lb}$	1,0	1,0	1,0	1,0	1,0	1,0	1,0	1,0	1,0
Ø 10		1,0	1,0	1,0	1,0	1,0	1,0	1,0	1,0	1,0
Ø 12		1,0	1,0	1,0	1,0	1,0	1,0	1,0	1,0	1,0
Ø 14		1,0	1,0	1,0	1,0	1,0	1,0	1,0	1,0	1,0
Ø 16		1,0	1,0	1,0	1,0	1,0	1,0	1,0	1,0	1,0
Ø 20		1,0	1,0	1,0	1,0	1,0	1,0	1,0	1,0	1,0
Ø 25		1,0	1,0	1,0	1,0	1,0	1,0	1,0	1,0	1,0
Ø 28		1,0	1,0	1,0	1,0	1,0	1,0	1,5	1,5	1,5
Ø 32		1,0	1,0	1,0	1,0	1,0	1,0	1,5	1,5	1,5

MKE for rebar connection

#### Performances

Design values of the ultimate bond resistance for hammer drilling

**Annex C 1**



### Design bond strength of post-installed rebar $f_{bd,PIR}$

$$f_{bd,PIR} = k_b \cdot f_{bd}$$

$k_b$  = reduction factor

$f_{bd}$  = design bond strength of cast-in rebar according to EN 1992-1-1

**Table C3:** Values of the design bond strength of post installed rebar  $f_{bd,PIR}$  for diamond core drilling methods for good bond conditions

Rebar Ø 8 to Ø 25									
Concrete class	C12/15	C16/20	C20/25	C25/30	C30/37	C35/45	C40/50	C45/55	C50/60
$k_b$ [-]	1,0	1,0	1,0	1,0	1,0	1,0	1,0	1,0	1,0
$f_{bd,PIR}$ [N/mm <sup>2</sup> ]	1,6	2,0	2,3	2,7	3,0	3,4	3,7	4,0	4,3
Rebar Ø 28									
Concrete class	C12/15	C16/20	C20/25	C25/30	C30/37	C35/45	C40/50	C45/55	C50/60
$k_b$ [-]	1,0	1,0	1,0	1,0	1,0	1,0	1,0	1,0	0,93
$f_{bd,PIR}$ [N/mm <sup>2</sup> ]	1,6	2,0	2,3	2,7	3,0	3,4	3,7	4,0	
Rebar Ø 32									
Concrete class	C12/15	C16/20	C20/25	C25/30	C30/37	C35/45	C40/50	C45/55	C50/60
$k_b$ [-]	1,0	1,0	1,0	1,0	1,0	1,0	0,91	0,84	0,79
$f_{bd,PIR}$ [N/mm <sup>2</sup> ]	1,6	2,0	2,3	2,7	3,0	3,4			

Tabulated values are valid for good bond conditions according to EN 1992-1-1.  
For all other bond conditions multiply the values by 0,7.

**Table C4:** Amplification factor for minimum anchorage length for diamond core drilling methods

Rebar	Amplification factor	Concrete class C12/15 to C50/60
Ø 8 to Ø 32	$\alpha_{lb}$	1,5

**MKE for rebar connection**

**Performances**

Design values of the ultimate bond resistance for diamond core drilling

**Annex C 2**